

--	--	--	--	--	--	--	--

Internal Assessment Test – 1

Sub: Engineering Visualization				Code: 21EV15	
Date: 25/01/2022	Duration: 90 mins	Max Marks: 50	Sem: 1	Branch (sections): A, B, C, D, E, F & G	

Answer one full question from each part

PART A		Marks	OBE	
			CO	RBT
1	(a) Draw the three principal views of a point P lying 65 mm above HP, 70 mm in front of VP and 50 mm in front of the right plane.	[10]	CO1	L2
	(b) A line AB, 65 mm long, has its end A 20 mm above HP and 25 mm in front of VP. The end B is 40 mm above HP and 65 mm in front of VP. Draw the projections of AB and show its inclinations with HP and VP.	[15]	CO1	L2
2	(a) A point P is on HP and 30mm in front VP. Another point Q is on VP and 40 mm above Hp. The distance between their projectors parallel to XY line is 50mm. Find the distance between the front and top views of P and Q respectively.	[10]	CO1	L2
	(b) The top view pq of a straight line is 70 mm and makes an angle of 60° with the XY line. The end Q is 10 mm in front of VP and 30 mm above the HP. The difference between the distances of P and Q above the HP is 45 mm. Draw the projections. Determine the true length and true inclinations with HP and VP.	[15]	CO1	L2

PART B

3	A pentagonal lamina of sides 30 mm is having a side both on HP and VP. The surface of the lamina is inclined at an angle of 60° to HP. Draw top and front views of the lamina.	[25]	CO2	L2
4	A hexagonal lamina of sides 25 mm rests on one of its sides on HP. The lamina makes 45° to HP and the side on which it rests makes 30° to VP. Draw the projections.	[25]	CO2	L2

CI

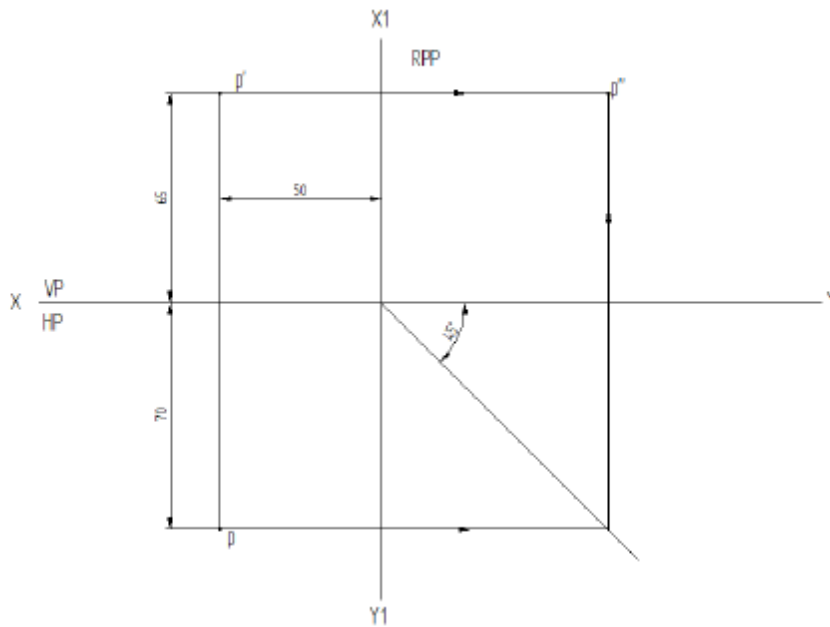
CCI

HOD

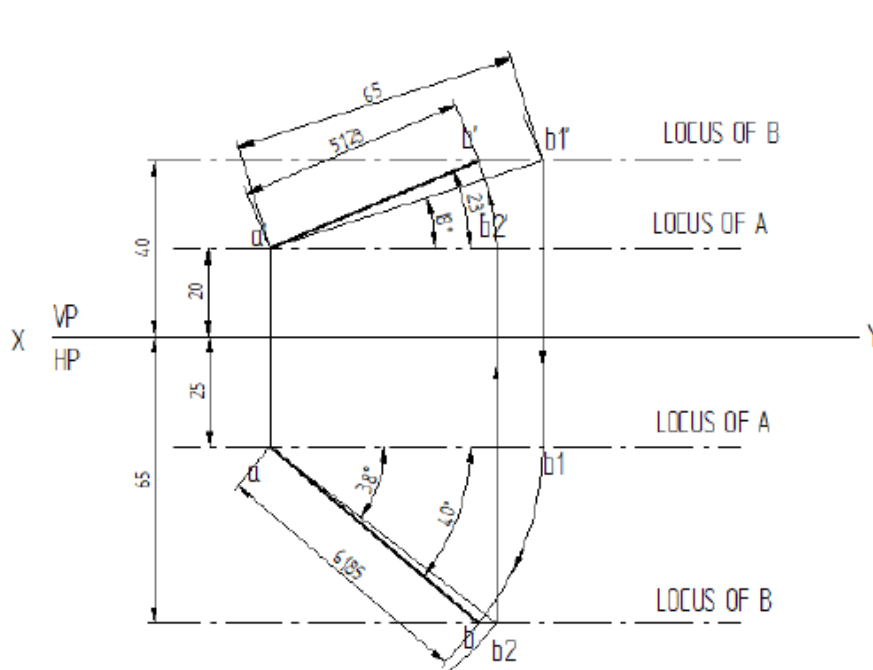
Solutions:

PART A

1a.

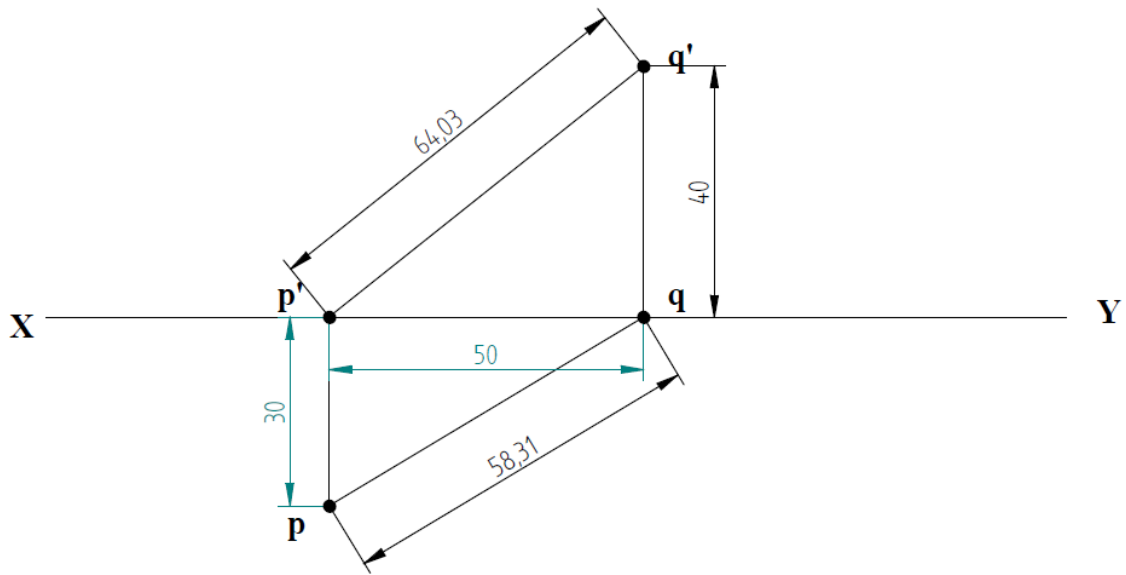


1b.



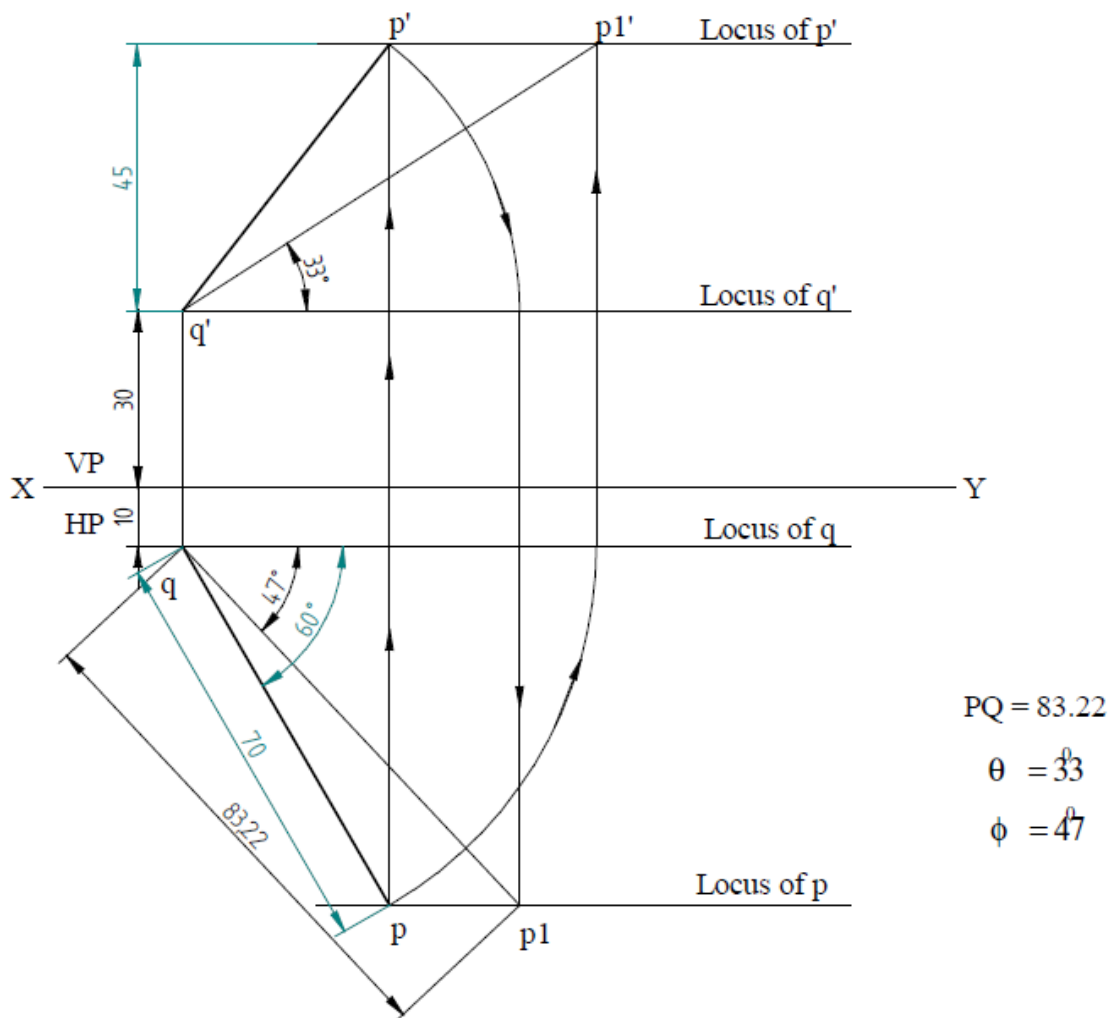
$a'b' = 51.23 \text{ mm}$
 $a_1b_1 = 61.85 \text{ mm}$
 $\theta = 18^\circ$
 $\phi = 38^\circ$
 $\alpha = 23^\circ$
 $\beta = 40^\circ$

2a



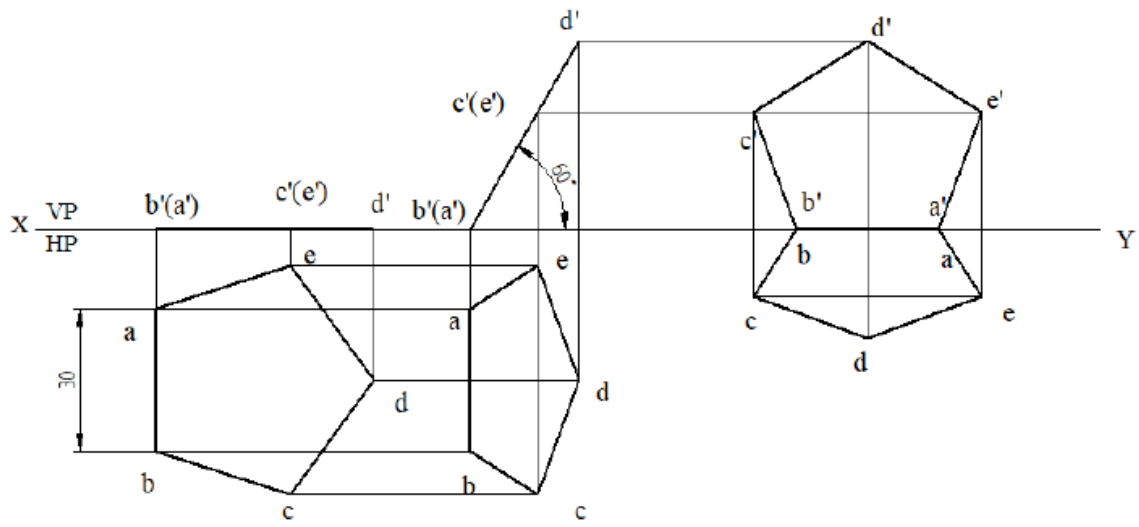
The distance between top views of P & Q is 58.31mm
 The distance between front views of P & Q is 64.03mm

2b



PART B

3



4

